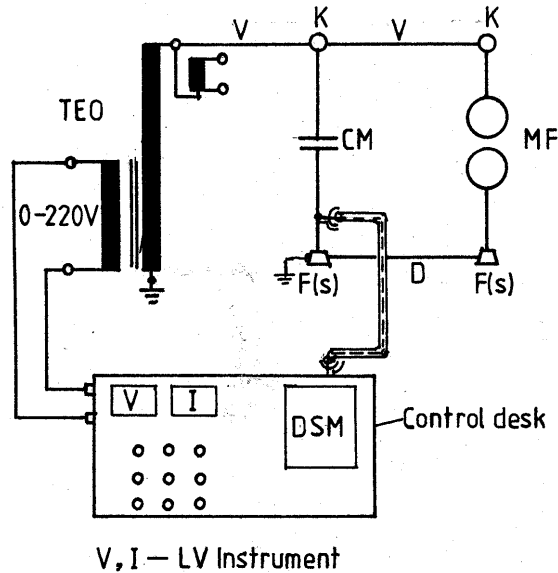


Wiring Diagram:

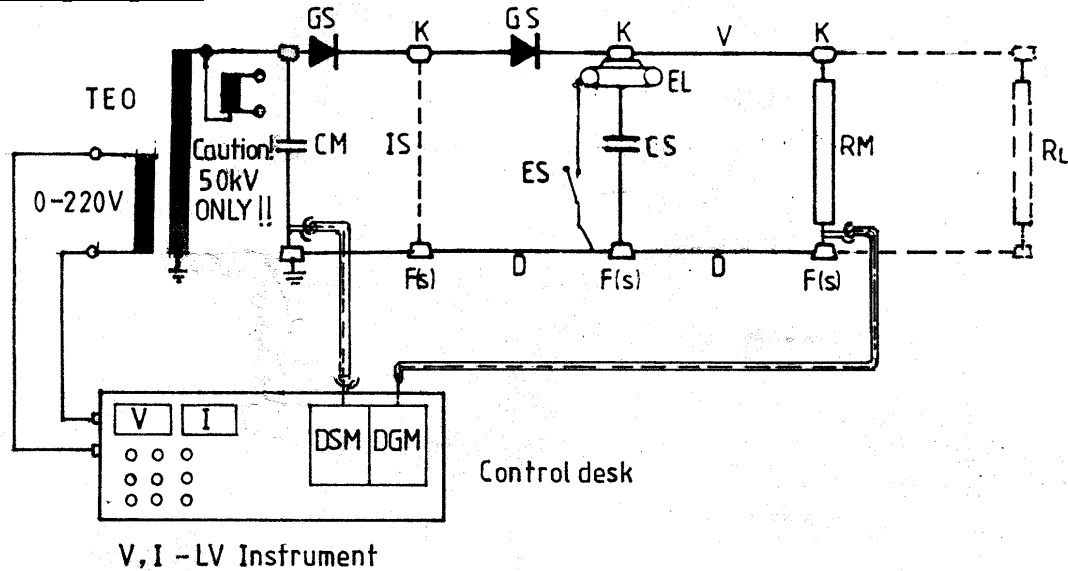


SCOPE OF SUPPLY (COMPONENTS LIST)

COMPONENT DESCRIPTION	WSTS TYPE No.	TERCO TYPE No.	QUANTITY
HV Test Transformer	TEO 100/10	HV9105	1
Control Desk	SRP 0.5/5TrE	HV9103	1
Measuring Capacitor	CM 100	HV9141	1
AC Peak Voltmeter	DSM	HV9150	1
Connecting Rod	V	HV9108	2
Connecting Cup	K	HV9109	2
Floor pedestal	F(S)	HV9110	1
Motorized Measuring sphere gap	MF	HV9133	1
Earthing Rod	Est	HV9107	1

EXPERIMENT REFERENCE SHEET
DIRECT VOLTAGES
Load characteristic of rectifiers

Wiring Diagram:



SCOPE OF SUPPLY (COMPONENTS LIST)

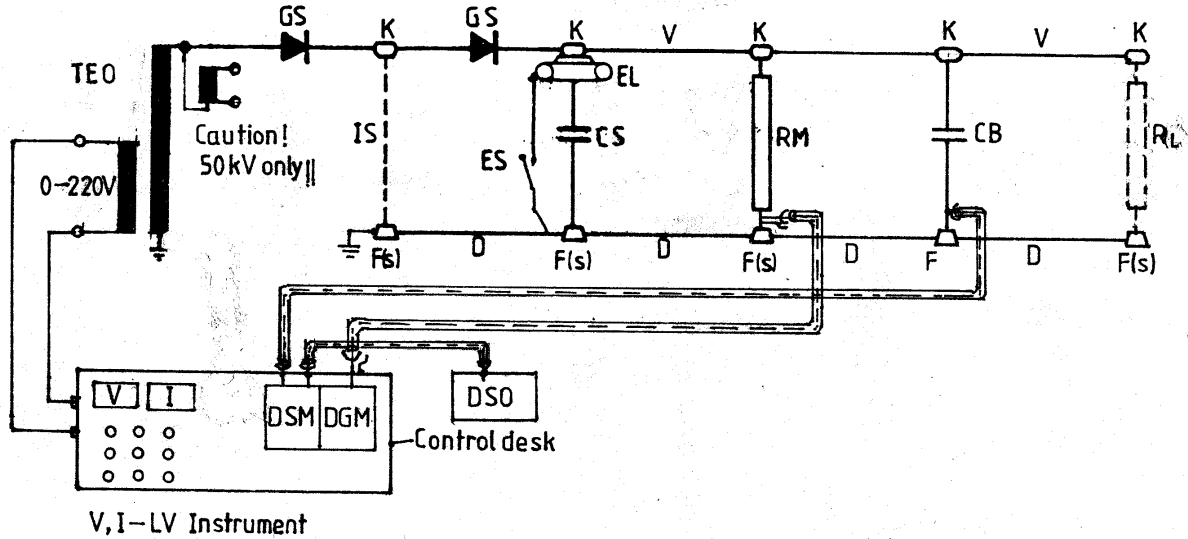
COMPONENT DESCRIPTION	WSTS TYPE No.	TERCO TYPE No.	QUANTITY
HV Test Transformer	TEO 100/10	HV9105	1
Control Desk	SRP 0.5/5TrE	HV9103	1
Measuring Capacitor	CM 100	HV9141	1
Rectifier	GS	HV9111	2
Smoothing capacitor	CS	HV9112	1
Measuring Resistor	RM	HV9113	1
Insulating Rod	IS	HV9124	1
Connecting cup	K	HV9109	5
Floor Fedestal	F(s)	HV9110	5
Connecting Rod	V	HV9108	3
Spacer Bar	D	HV9119	4
Electrode	EL	HV9138	1
Earthing Switch	ES	HV9114	1
Earthing Rod	Est	HV9107	1
AC peak voltmeter	DSM	HV9150	1
DC Voltmeter	DGM	HV9151	1
Variable Resistor	RL		1

EXPERIMENT REFERENCE SHEET

DIRECT VOLTAGES

Ripple Factor Measurement

Wiring Diagram:



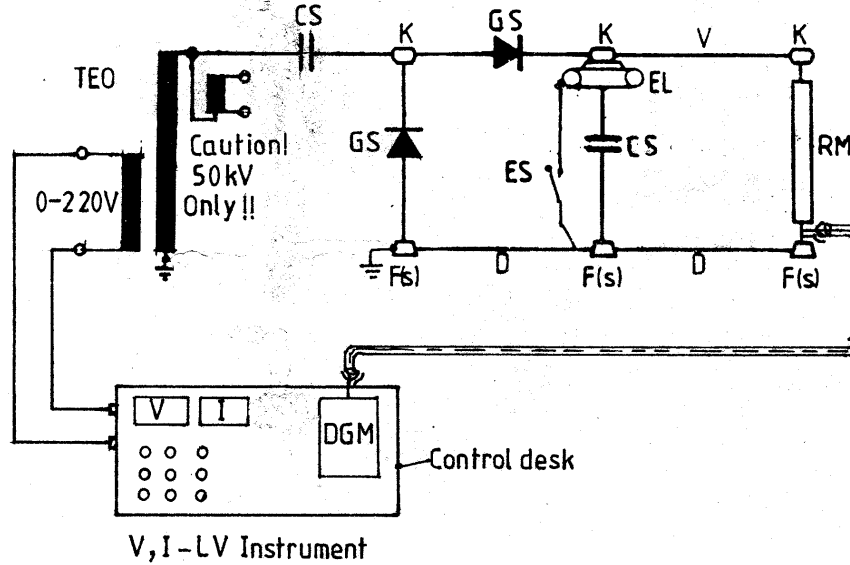
SCOPE OF SUPPLY (COMPONENTS LIST)

COMPONENT DESCRIPTION	WSTS TYPE No.	TERCO TYPE No.	QUANTITY
HV Test Transformer	TEO 100/10	HV9105	1
Control Desk	SRP 0.5/5TrE	HV9103	1
Smoothing Capacitor	CS	HV9112	1
Load Capacitor	CB	HV9120	1
Measuring Resistor	RM	HV9113	1
Rectifier	GS	HV9111	2
Insulating Rod	IS	HV9124	1
Connecting cup	K	HV9109	5
Floor Fedestal	F(s)	HV9110	5
Connecting Rod	V	HV9108	3
Spacer Bar	D	HV9119	4
Electrode	EL	HV9138	1
Earthing Switch	ES	HV9114	1
Earthing Rod	Est	HV9107	1
AC peak voltmeter	DSM	HV9150	1
DC Voltmeter	DGM	HV9151	1
Variable Resistor	RL		1

NOTE: Oscilloscope is not included in the scope of supply

EXPERIMENT REFERENCE SHEET
DIRECT VOLTAGES
Greinacher Doubler-Circuit

Wiring Diagram:



SCOPE OF SUPPLY (COMPONENTS LIST)

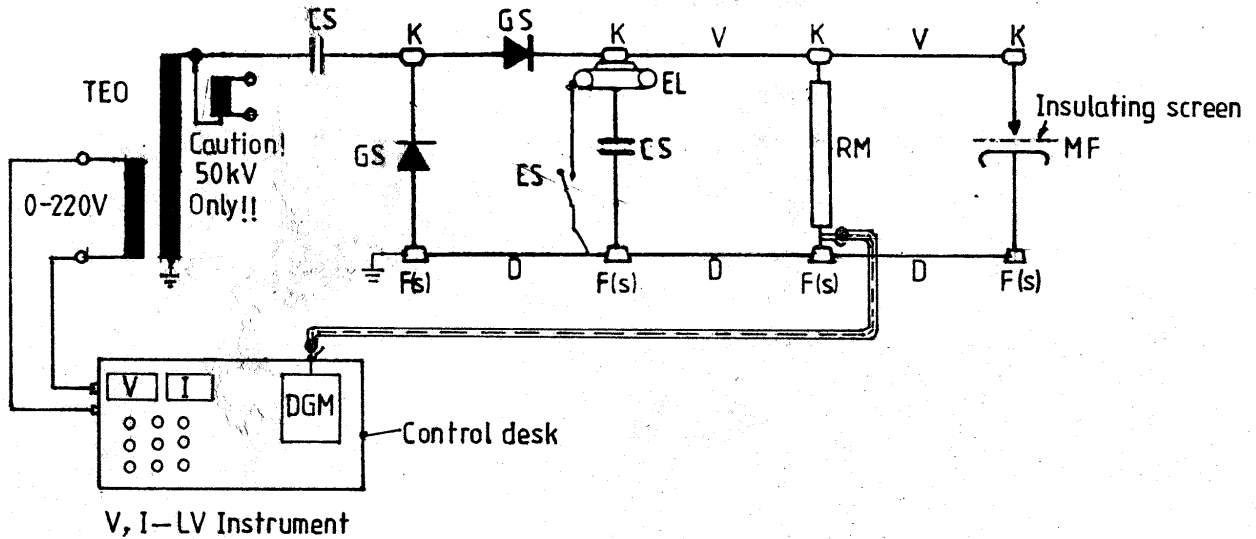
COMPONENT DESCRIPTION	WSTS TYPE No.	TERCO TYPE No.	QUANTITY
HV Test Transformer	TEO 100/10	HV9105	1
Control Desk	SRP 0.5/5TrE	HV9103	1
Smoothing Capacitor	CS	HV9112	2
Rectifier	GS	HV9111	2
Measuring Resistor	RM	HV9113	1
Connecting Rod	V	HV9108	1
Connecting cup	K	HV9109	3
Floor Fedestal	F(s)	HV9110	3
Spacer Bar	D	HV9119	2
Electrode	EL	HV9138	1
Earthing Switch	ES	HV9114	1
Earthing Rod	Est	HV9107	1
DC Voltmeter	DGM	HV9151	1

EXPERIMENT REFERENCE SHEET

DIRECT VOLTAGES

Polarity Effect & Insulating screens

Wiring Diagram:



SCOPE OF SUPPLY (COMPONENTS LIST)

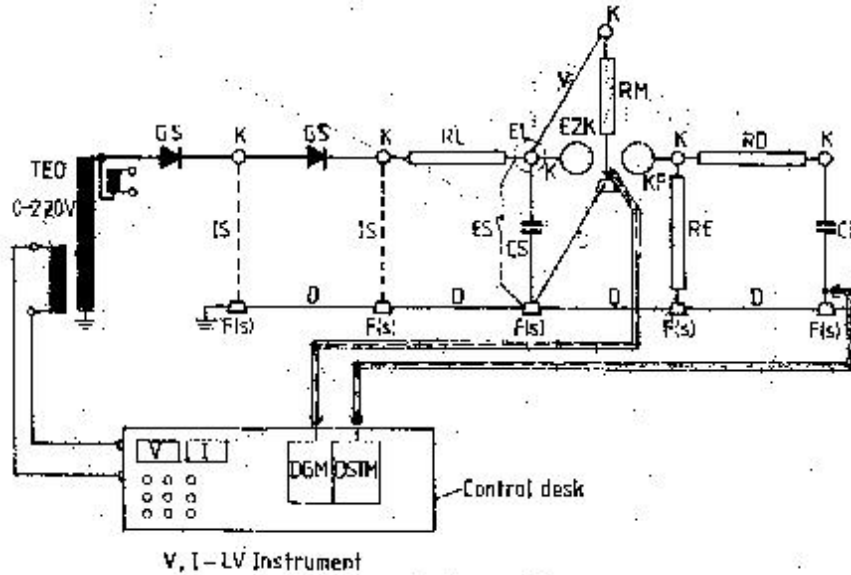
COMPONENT DESCRIPTION	WSTS TYPE No.	TERCO TYPE No.	QUANTITY
HV Test Transformer	TEO 100/10	HV9105	1
Control Desk	SRP 0.5/5TrE	HV9103	1
Smoothing Capacitor	CS	HV9112	2
Rectifier	GS	HV9111	2
Measuring R resistor	RM	HV9113	1
Motorized Measuring sphere gap	MF	HV9133	1
Connecting Rod	V	HV9108	2
Connecting cup	K	HV9109	4
Floor Pedestal	F(s)	HV9110	3
Spacer Bar	D	HV9119	3
Electrode	EL	HV9138	1
Earthing Switch	ES	HV9114	1
Earthing Rod	Est	HV9107	1
DC Voltmeter	DGM	HV9151	1

EXPERIMENT REFERENCE SHEET

IMPULSE VOLTAGES

GENERATION OF IMPULSE VOLTAGES

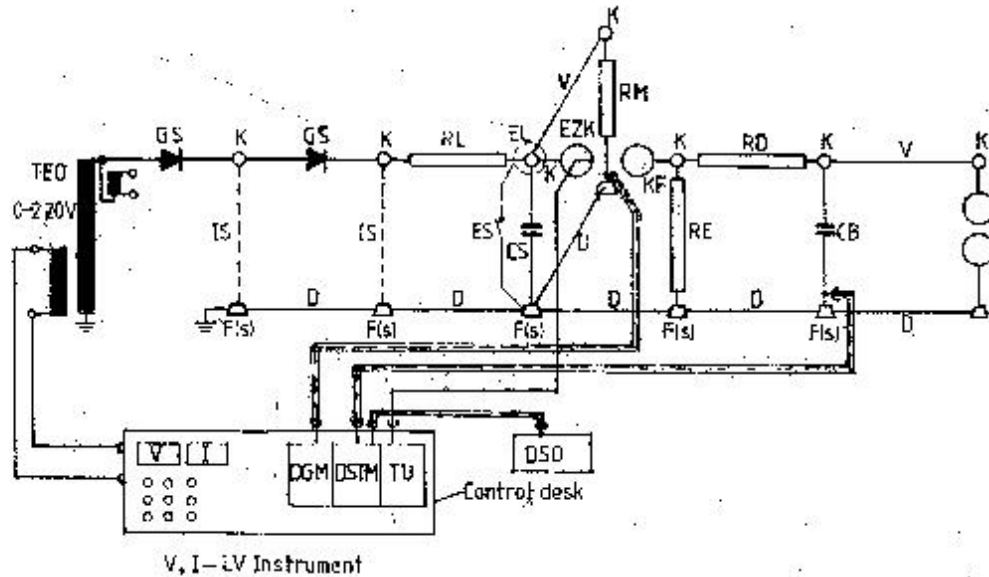
Wiring Diagram:



SCOPE OF SUPPLY (COMPONENTS LIST)

COMPONENT DESCRIPTION	WSTS TYPE No.	TERCO TYPE No.	QUANTITY
HV Test Transformer	TEO 100/10	HV9105	1
Control Desk	SRP 0.5/5TrE	HV9103	1
Smoothing Capacitor	CS	HV9112	1
Load Capacitor	CB	HV9120	1
Rectifier	GS	HV9111	2
Measuring Resistor	RM	HV9113	1
Charging Resistor	RL	HV9121	1
Wavefront Resistor	RD	HV9122	1
Wavetail Resistor	RE	HV9123	1
Sphere Gap	KF	HV9125	1
Drive for sphere gap	AKF	HV9126	1
Insulating Rod	IS	HV9124	2
Connecting Rod	V	HV9108	1
Connecting cup	K	HV9109	6
Floor Fedestal	F(s)	HV9110	6
Spacer Bar	D	HV9119	5
Electrode	EL	HV9138	1
Earthing Switch	ES	HV9114	1
Earthing Rod	Est	HV9107	1
DC Voltmeter	DGM	HV9151	1
Impulse peak voltmeter	DSTM	HV9152	1
Low Voltage Divider	NtZ		1

Wiring Diagram:

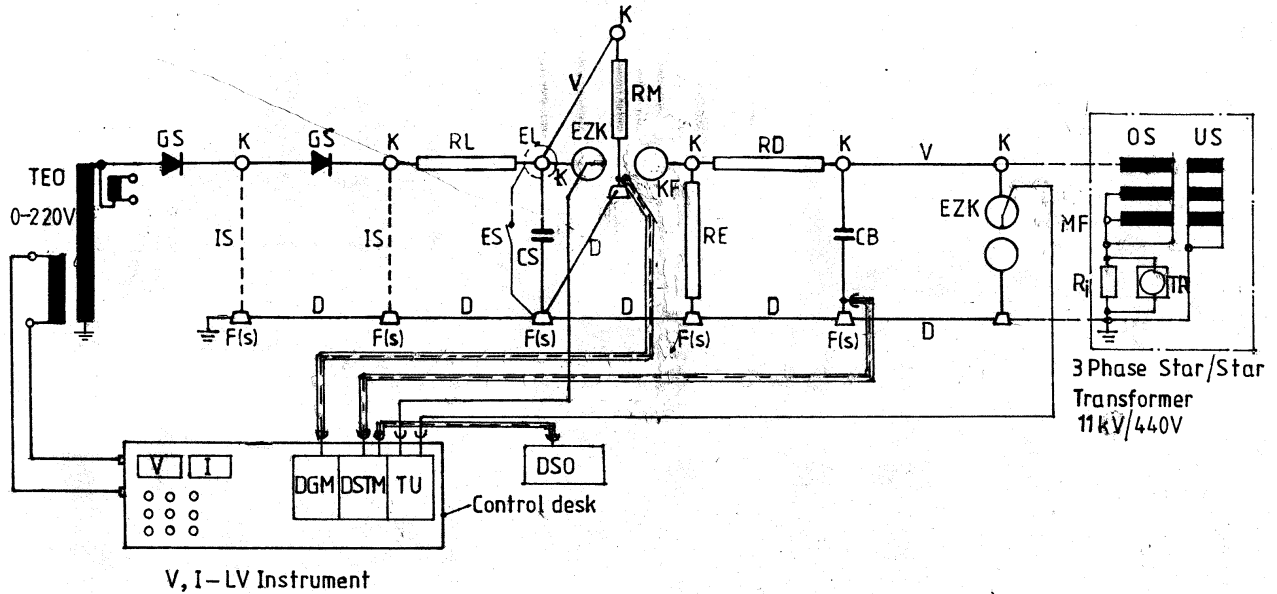


SCOPE OF SUPPLY (COMPONENTS LIST)

COMPONENT DESCRIPTION	WSTS TYPE No.	TERCO TYPE No.	QUANTITY
HV Test Transformer	TEO 100/10	HV9105	1
Control Desk	SRP 0.5/5TrE	HV9103	1
Smoothing Capacitor	CS	HV9112	1
Load Capacitor	CB	HV9120	1
Rectifier	GS	HV9111	2
Measuring Resistor	RM	HV9113	1
Charging Resistor	RL	HV9121	1
Wavefront Resistor	RD	HV9122	1
Wavetail Resistor	RE	HV9123	1
Sphere Gap	KF	HV9125	1
Drive for sphere gap	AKF	HV9126	1
Motorized measuring sphere gap	MF	HV9133	1
Insulating Rod	IS	HV9124	2
Connecting Rod	V	HV9108	2
Connecting cup	K	HV9109	7
Floor Fedestal	F(s)	HV9110	6
Spacer Bar	D	HV9119	5
Electrode	EL	HV9138	1
Earthing Switch	ES	HV9114	1
Earthing Rod	Est	HV9107	1
DC Voltmeter	DGM	HV9151	1
Impulse peak voltmeter	DSTM	HV9152	1
Trigger Unit	TU	HV9131	1
Trigger sphere	EZK	HV9132	1
Low Voltage Divider	NtZ		1

NOTE: Oscilloscope is not included in the scope of supply

Wiring Diagram:

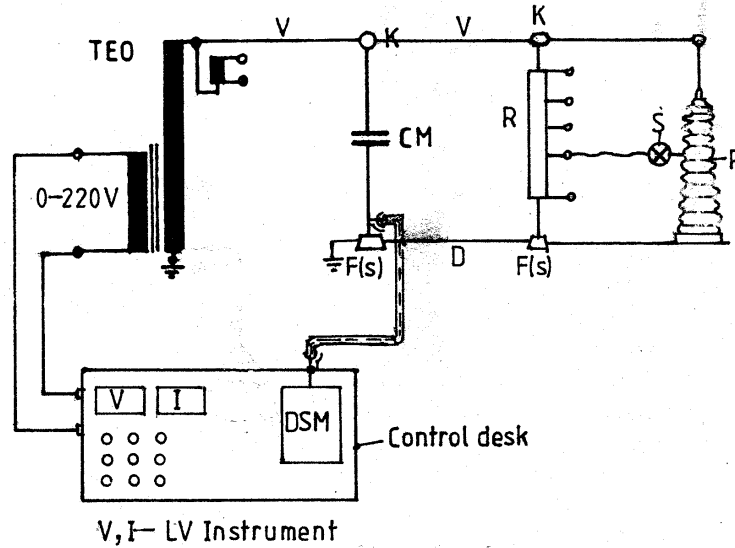


SCOPE OF SUPPLY (COMPONENTS LIST)

COMPONENT DESCRIPTION	WSTS TYPE No.	TERCO TYPE No.	QUANTITY
HV Test Transformer	TEO 100/10	HV9105	1
Control Desk	SRP 0.5/5TrE	HV9103	1
Smoothing Capacitor	CS	HV9112	1
Load Capacitor	CB	HV9120	1
Rectifier	GS	HV9111	2
Measuring Resistor	RM	HV9113	1
Charging Resistor	RL	HV9121	1
Wavefront Resistor	RD	HV9122	1
Wavetail Resistor	RE	HV9123	1
Sphere Gap	KF	HV9125	1
Drive for sphere gap	AKF	HV9126	1
Motorized measuring sphere gap	MF	HV9133	1
Insulating Rod	IS	HV9124	2
Connecting Rod	V	HV9108	2
Connecting cup	K	HV9109	7
Floor Fedestal	F(s)	HV9110	6
Spacer Bar	D	HV9119	5
Electrode	EL	HV9138	1
Earthing Switch	ES	HV9114	1
Earthing Rod	Est	HV9107	1
DC Voltmeter	DGM	HV9151	1
Impulse peak voltmeter	DSTM	HV9152	1
Trigger Unit	TU	HV9131	1
Trigger sphere	EZK	HV9132	2
Low Voltage Divider	NtZ		1

NOTE: Oscilloscope & 3 phase transformer (load) is not included in the scope of supply

Wiring Diagram:

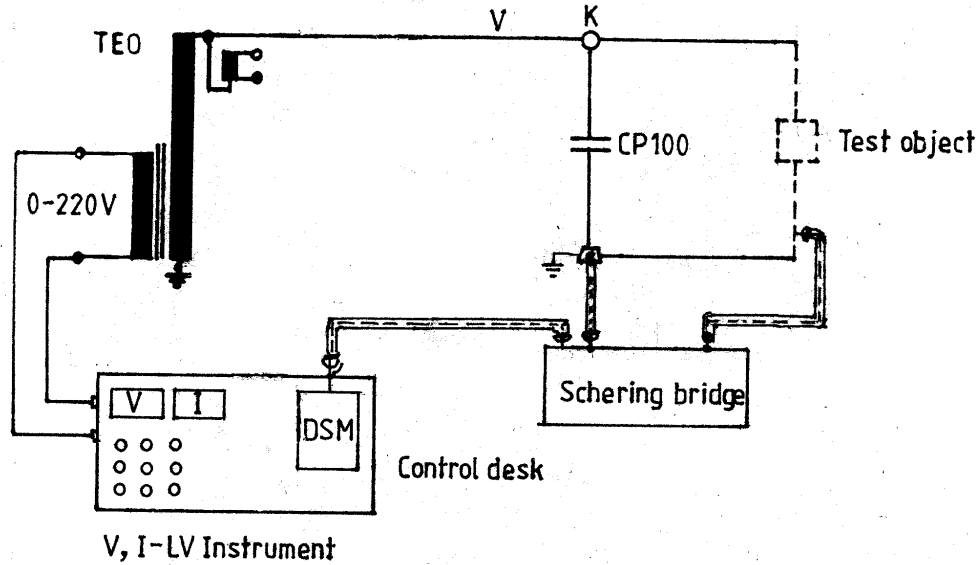


SCOPE OF SUPPLY (COMPONENTS LIST)

COMPONENT DESCRIPTION	WSTS TYPE No.	TERCO TYPE No.	QUANTITY
HV Test Transformer	TEO 100/10	HV9105	1
Control Desk	SRP 0.5/5TrE	HV9103	1
Measuring Capacitor	CM 100	HV9141	1
AC Peak Voltmeter	DSM	HV9150	1
Connecting Rod	V	HV9108	2
Connecting Cup	K	HV9109	2
Floor pedestal	F(S)	HV9110	2
Spacer Bar	D	HV9119	1
Earthing Rod	Est	HV9107	1
Variable resistor	R		1

NOTE: Glow light and Insulator is not included in the scope of supply

Wiring Diagram:

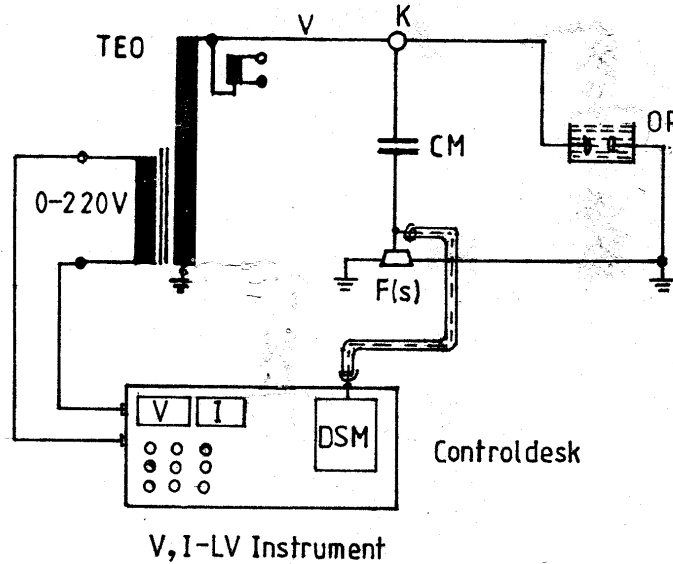


SCOPE OF SUPPLY (COMPONENTS LIST)

COMPONENT DESCRIPTION	WSTS TYPE No.	TERCO TYPE No.	QUANTITY
HV Test Transformer	TEO 100/10	HV9105	1
Control Desk	SRP 0.5/5TrE	HV9103	1
Compressed gas capacitor	CP100	HV9144	1
AC Peak Voltmeter	DSM	HV9150	1
Connecting Rod	V	HV9108	1
Connecting Cup	K	HV9109	1
Earthing Rod	Est	HV9107	1

Note : Schering Bridge is not included in our scope of supply.

Wiring Diagram:

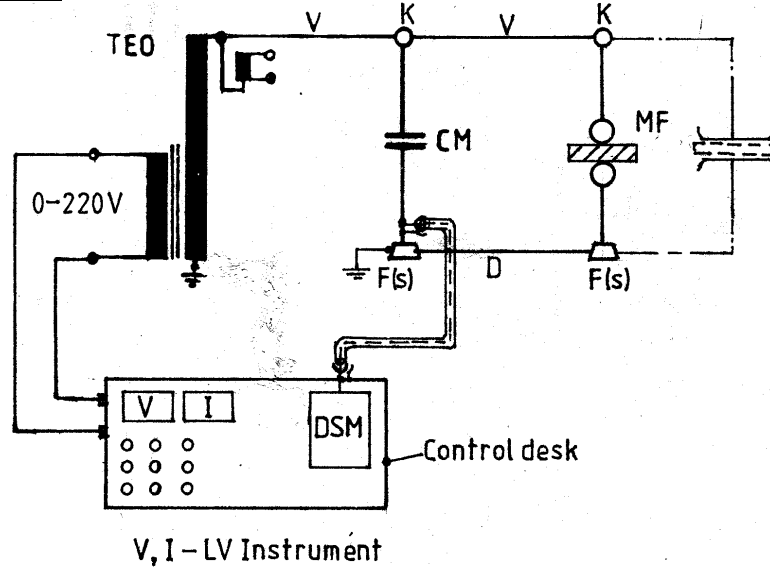


SCOPE OF SUPPLY (COMPONENTS LIST)

COMPONENT DESCRIPTION	WSTS TYPE No.	TERCO TYPE No.	QUANTITY
HV Test Transformer	TEO 100/10	HV9105	1
Control Desk	SRP 0.5/5TrE	HV9103	1
Measuring capacitor	CM 100	HV9141	1
AC Peak Voltmeter	DSM	HV9150	1
Connecting Rod	V	HV9108	1
Connecting Cup	K	HV9109	1
Floor pedestal	F(S)	HV9110	1
Oil testing cup	OP	HV9137	1
Earthing Rod	Est	HV9107	1

EXPERIMENT REFERENCE SHEET
LIQUIDS & SOLID INSULATING MATERIALS
Breakdown of Hardboard plates

Wiring Diagram:

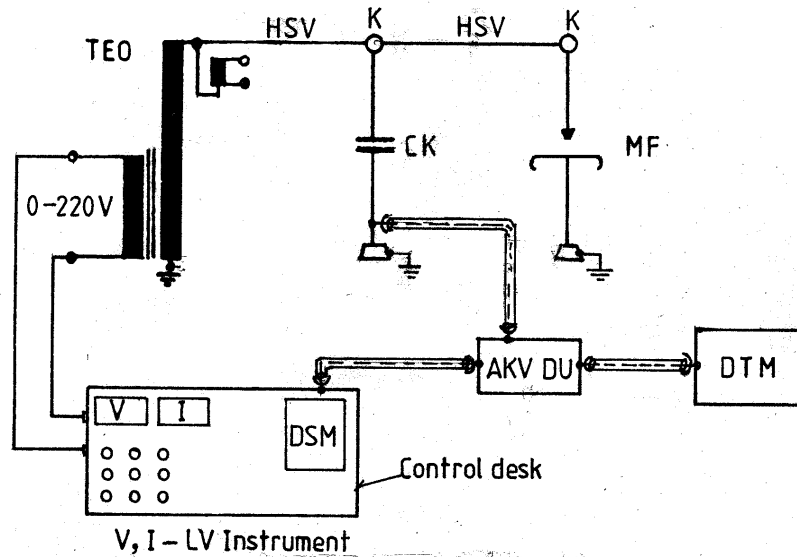


SCOPE OF SUPPLY (COMPONENTS LIST)

COMPONENT DESCRIPTION	WSTS TYPE No.	TERCO TYPE No.	QUANTITY
HV Test Transformer	TEO 100/10	HV9105	1
Control Desk	SRP 0.5/5TrE	HV9103	1
Measuring capacitor	CM 100	HV9141	1
AC Peak Voltmeter	DSM	HV9150	1
Connecting Rod	V	HV9108	2
Connecting Cup	K	HV9109	2
Floor pedestal	F(S)	HV9110	1
Motorized Measuring sphere gap	MF	HV9133	1
Spacer Bar	D	HV9119	1
Earthing Rod	Est	HV9107	1

EXPERIMENT REFERENCE SHEET
PARTIAL DISCHARGE
PD at a Needle Electrode in Air

Wiring Diagram:

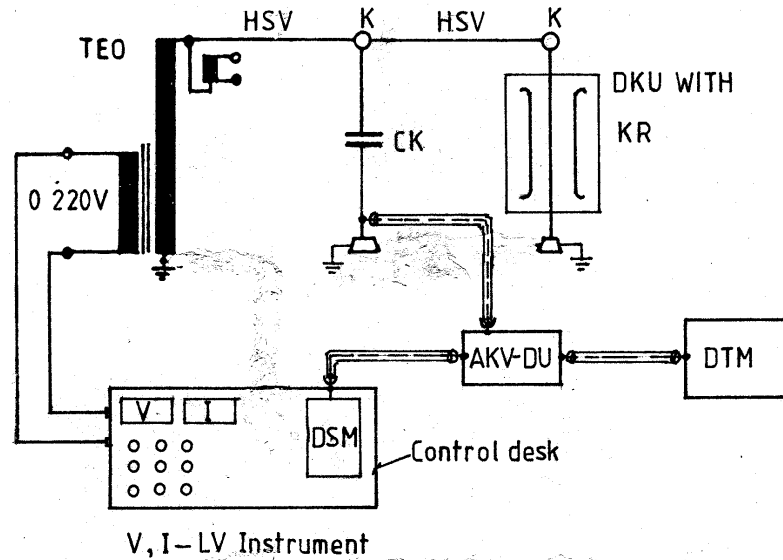


SCOPE OF SUPPLY (COMPONENTS LIST)

COMPONENT DESCRIPTION	WSTS TYPE No.	TERCO TYPE No.	QUANTITY
HV Test Transformer	TEO 100/10	HV9105	1
Control Desk	SRP 0.5/5TrE	HV9103	1
Coupling Capacitor	CK120		1
AC Peak Voltmeter	DSM	HV9150	1
HV Flexible connector	HSV	HV9106	2
Connecting Cup	K	HV9109	2
Motorized Measuring sphere gap	MF	HV9133	1
Earthing Rod	Est	HV9107	1
Quadripole	AKV-DU		1
Partial Discharge meter	DTM (int)		1

EXPERIMENT REFERENCE SHEET
PARTIAL DISCHARGE
Measuring on a Corona-cage

Wiring Diagram:

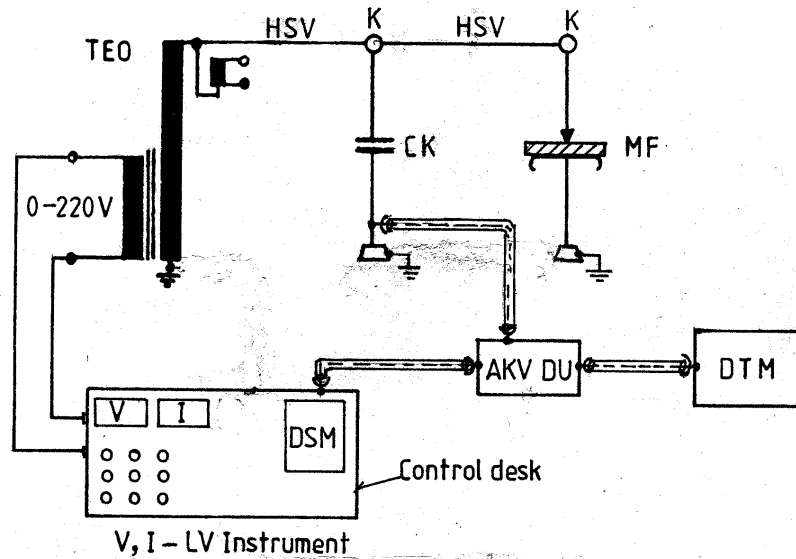


SCOPE OF SUPPLY (COMPONENTS LIST)

COMPONENT DESCRIPTION	WSTS TYPE No.	TERCO TYPE No.	QUANTITY
HV Test Transformer	TEO 100/10	HV9105	1
Control Desk	SRP 0.5/5TrE	HV9103	1
Coupling Capacitor	CK120		1
AC Peak Voltmeter	DSM	HV9150	1
HV Flexible connector	HSV	HV9106	2
Connecting Cup	K	HV9109	2
Corona cage with DKU	KR (DKU)	HV9135	1
Earthing Rod	Est	HV9107	1
Quadripole	AKV-DU		1
Partial Discharge meter	DTM(int)		1

EXPERIMENT REFERENCE SHEET
PARTIAL DISCHARGE
Gliding Discharge Onset Voltage

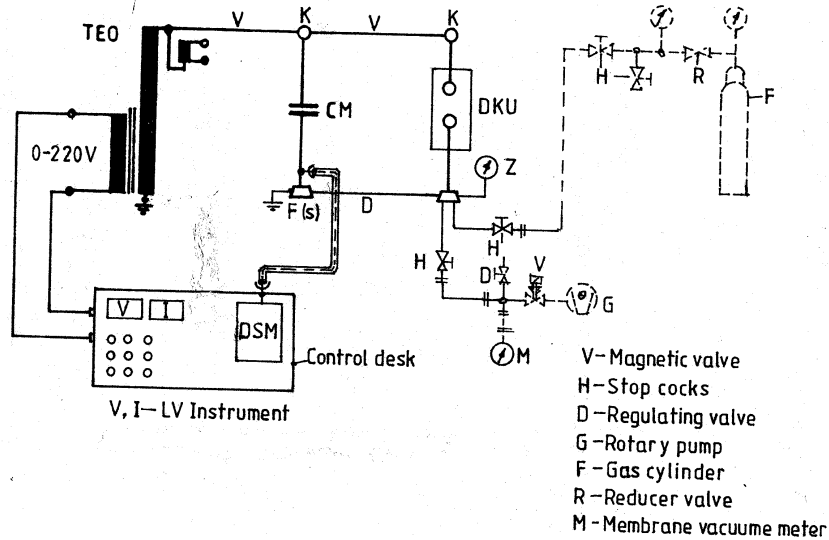
Wiring Diagram:



COMPONENTS LIST

COMPONENT DESCRIPTION	WSTS TYPE No.	TERCO TYPE No.	QUANTITY
HV Test Transformer	TEO 100/10	HV9105	1
Control Desk	SRP 0.5/5TrE	HV9103	1
Coupling Capacitor	CK120		1
AC Peak Voltmeter	DSM	HV9150	1
HV Flexible connector	HSV	HV9106	2
Connecting Cup	K	HV9109	2
Motorized Measuring sphere gap	MF	HV9133	1
Earthing Rod	Est	HV9107	1
Quadrupole	AKV-DU		1
Partial Discharge meter	DTM(int)		1

Wiring Diagram:



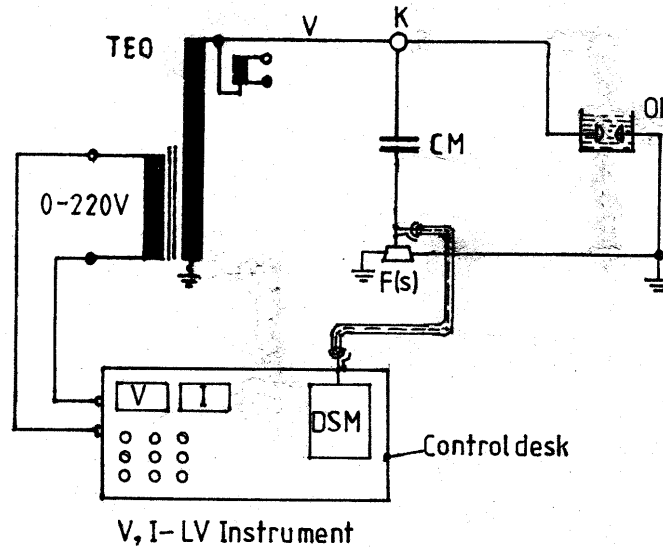
SCOPE OF SUPPLY (COMPONENTS LIST)

COMPONENT DESCRIPTION	WSTS TYPE No.	TERCO TYPE No.	QUANTITY
HV Test Transformer	TEO 100/10	HV9105	1
Control Desk	SRP 0.5/5TrE	HV9103	1
Measuring capacitor	CM 100	HV9141	1
AC Peak Voltmeter	DSM	HV9150	1
Connecting Rod	V	HV9108	2
Connecting Cup	K	HV9109	2
Floor pedestal	F(S)	HV9110	1
Vacuum and Pressure vessel	DKU	HV9134	1
Spacer Bar	D	HV9119	1
Earthing Rod	Est	HV9107	1

Note: Gas cylinder and different gases (part-F) is not in scope of supply

EXPERIMENT REFERENCE SHEET
TRANSFORMER TESTS
Breakdown Test of Insulating Oil

Wiring Diagram:

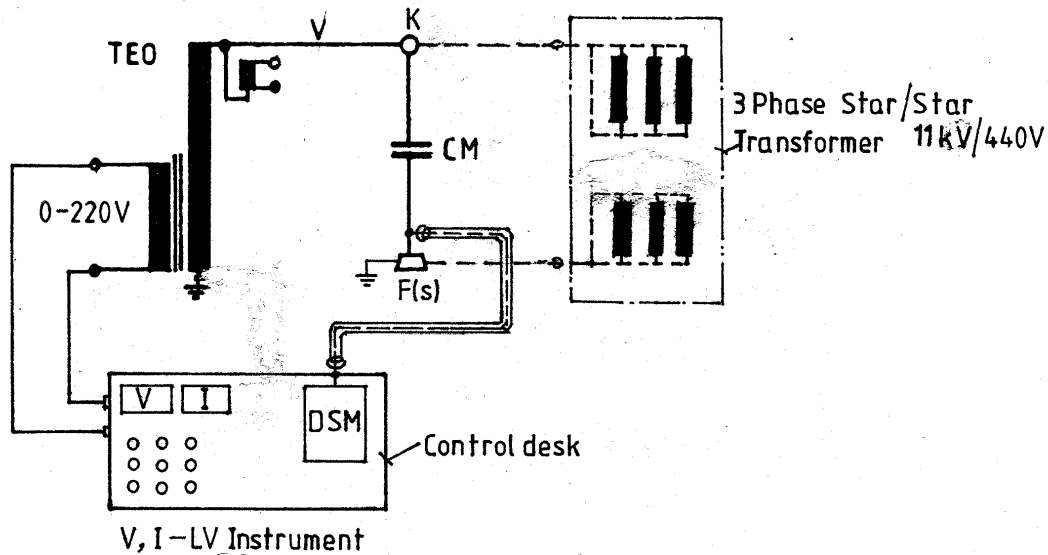


SCOPE OF SUPPLY (COMPONENTS LIST)

COMPONENT DESCRIPTION	WSTS TYPE No.	TERCO TYPE No.	QUANTITY
HV Test Transformer	TEO 100/10	HV9105	1
Control Desk	SRP 0.5/5TrE	HV9103	1
Measuring Capacitor	CM 100	HV9141	1
AC Peak Voltmeter	DSM	HV9150	1
Connecting Rod	V	HV9108	1
Connecting Cup	K	HV9109	1
Floor pedestal	F(S)	HV9110	1
Oil testing cup	OP	HV9137	1
Earthing Rod	Est	HV9107	1

EXPERIMENT REFERENCE SHEET
TRANSFORMER TEST
AC Test of on oil filled transformer

Wiring Diagram:



SCOPE OF SUPPLY (COMPONENTS LIST)

COMPONENT DESCRIPTION	WSTS TYPE No.	TERCO TYPE No.	QUANTITY
HV Test Transformer	TEO 100/10	HV9105	1
Control Desk	SRP 0.5/5TrE	HV9103	1
Measuring Capacitor	CM 100	HV9141	1
AC Peak Voltmeter	DSM	HV9150	1
Connecting Rod	V	HV9108	1
Connecting Cup	K	HV9109	1
Floor pedestal	F(S)	HV9110	1
Earthing Rod	Est	HV9107	1

NOTE: 3 phase transformer (load) is not included in the scope of supply